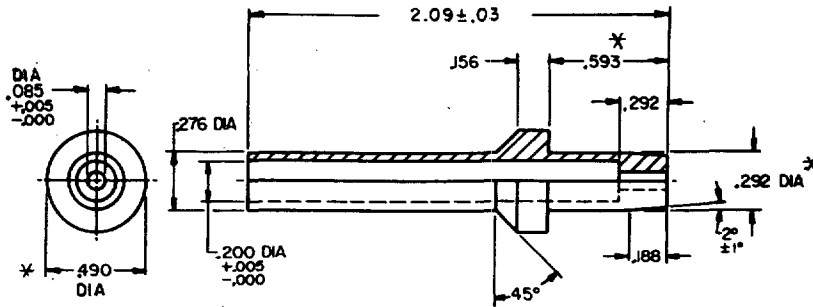


REVIEW ACTIVITIES: ARMY-AMU; AF-82
USER ACTIVITIES: NAVY-TAC



DIMENSIONS ARE IN INCHES

NOTES:

1. MATERIAL SHALL CONFORM TO GRADE 80, CLASS II SILICONE RUBBER IN ACCORDANCE WITH SPECIFICATION ZZ-R-765.
2. PART MUST BE FREE OF MOLD RELEASE COMPOUND.
3. ALL FILLET RADIUS .030 MAXIMUM.
4. UNLESS OTHERWISE SPECIFIED, DIMENSIONS ARE IN INCHES, TOLERANCES ARE: $\pm .005$ ON DECIMALS; $\pm 3^\circ$ ON ANGLES.
5. SHEET 2 IS IDENTICAL WITH SHEET 1 EXCEPT THAT DIMENSIONS ARE IN MILLIMETERS.
6. REFERENCED DOCUMENTS SHALL BE OF THE ISSUE IN EFFECT ON DATE OF INVITATION FOR BIDS.

THIS IS A DESIGN STANDARD AND SHALL NOT BE USED AS A PART NUMBER.

(A)

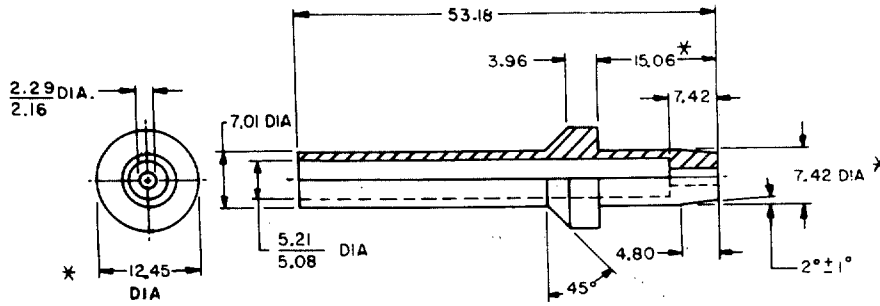
NOTE:

CERTAIN PROVISIONS (IDENTIFIED BY *) OF THIS STANDARD ARE THE SUBJECT OF INTERNATIONAL STANDARDIZATION AGREEMENT NATO STANAG 4006. WHEN REVISION OR CANCELLATION OF THIS STANDARD IS PROPOSED WHICH WILL EFFECT OR VIOLATE THE INTERNATIONAL AGREEMENT CONCERNED, THE PREPARING ACTIVITY WILL TAKE APPROPRIATE RECONCILIATION ACTION THROUGH INTERNATIONAL STANDARDIZATION CHANNELS, INCLUDING DEPARTMENTAL STANDARDIZATION OFFICES, IF REQUIRED.

This military standard is mandatory for use by all Departments and Agencies of the Department of Defense. Selection for all new engineering and design applications and for repetitive use shall be made from this document.

APPROVED 1 MAY 1958 REVISED (A) 15 DECEMBER 1966

P.A. ARMY-AT Other Cust NAVY-YD AF-65	INTERNATIONAL INTEREST	TITLE	MILITARY STANDARD
		INSULATOR, BUSHING: SPARK PLUG CABLE TERMINAL (OTHER THAN AIRCRAFT)	MS16679
PROCUREMENT SPECIFICATION NONE	SUPERSEDES:	SHEET 1 OF 2	



DIMENSIONS ARE IN MILLIMETERS

NOTES:

1. MATERIAL SHALL CONFORM TO GRADE 80, CLASS II SILICONE RUBBER IN ACCORDANCE WITH SPECIFICATION ZZ-R-765.
2. PART MUST BE FREE OF MOLD RELEASE COMPOUND.
3. ALL FILLET RADII .762 MAXIMUM.
4. UNLESS OTHERWISE SPECIFIED, DIMENSIONS ARE IN MILLIMETERS, TOLERANCES ARE $\pm .13$ ON DECIMALS; $\pm 3^\circ$ ON ANGLES.
5. SHEET 1 IS IDENTICAL WITH SHEET 2 EXCEPT THAT DIMENSIONS ARE IN INCHES.
6. REFERENCED DOCUMENTS SHALL BE OF THE ISSUE IN EFFECT ON DATE OF INVITATION FOR BIDS.

THIS IS A DESIGN STANDARD AND SHALL NOT BE USED AS A PART NUMBER.

(A)

NOTE:

CERTAIN PROVISIONS (IDENTIFIED BY *) OF THIS STANDARD ARE THE SUBJECT OF INTERNATIONAL STANDARDIZATION AGREEMENT NATO STANAG 4006. WHEN REVISION OR CANCELLATION OF THIS STANDARD IS PROPOSED WHICH WILL EFFECT OR VIOLATE THE INTERNATIONAL AGREEMENT CONCERNED, THE PREPARING ACTIVITY WILL TAKE APPROPRIATE RECONCILIATION ACTION THROUGH INTERNATIONAL STANDARDIZATION CHANNELS, INCLUDING DEPARTMENTAL STANDARDIZATION OFFICES, IF REQUIRED.

APPROVED 1 MAY 1958 REVISED (A) 1 DECEMBER 1966

P. A. ARMY-AT Other Cust	INTERNATIONAL INTEREST	TITLE INSULATOR, BUSHING: SPARK PLUG CABLE TERMINAL (OTHER THAN AIRCRAFT)	MILITARY STANDARD MS16679
NAVY-YD AF-85		SUPERSEDES:	SHEET 2
PROCUREMENT SPECIFICATION NONE			

REVIEW ACTIVITIES: ARMY-MU; AF-82
USEK ACTIVITIES: NAVY-MC

This military standard is mandatory for use by all Departments and Agencies of the Department of Defense. Selection for all new engineering and design applications and for repetitive use shall be made from this document.